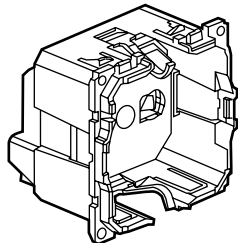
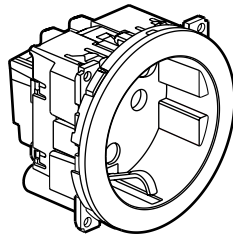


Céliane™
German standard socket outlet (Schuko)

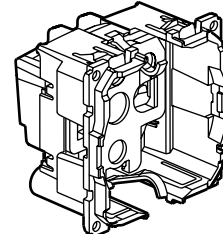
Cat. No(s): 671 45/52/53/61



671 53



671 45

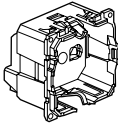
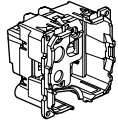
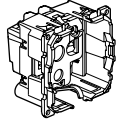
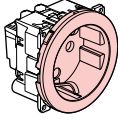


671 52/61

1. USE

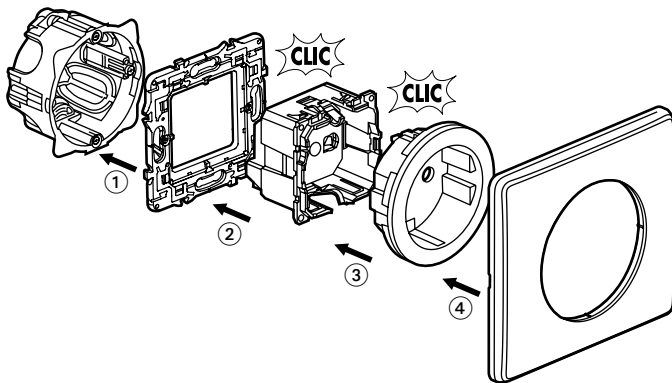
Socket outlet to German standard.

2. RANGE

	Designation	Cat. No.	Connection method	Sortie des câbles	Weight (g)
	2 P + E German standard socket	671 53	automatic	below	27.00
	2 P + E German standard socket Screw cover plate not supplied on mechanism	671 52	with screws	latéral	27.47
	2 P + E German standard socket Clip cover plate not supplied on mechanism	671 61	with screws	latéral	27.47
	2 P + E German standard socket Dedicated cover plate supplied	671 45	with screws	latéral	34.00

German standard socket outlet (Schuko)

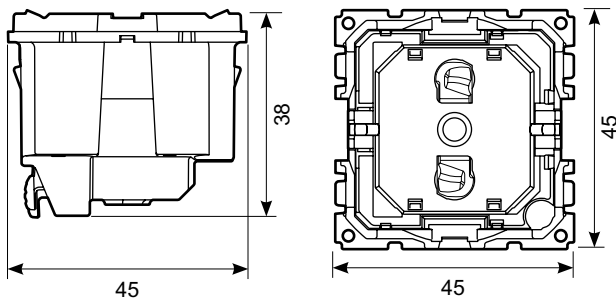
3. INSTALLATION



- 1 - Clip the front of the mechanism onto the support frame.
- 2 - Clip the cover plate onto the mechanism.
- 3 - Clip the plate onto the support frame.

The mechanism can be flush or surface-mounted.

4. OVERALL DIMENSIONS



5. CONNECTION

• Cat. No. 671 53

Terminal type: automatic
Terminal capacity: 2 x 2.5 mm²
Stripping length: 13 mm

• Cat. Nos. 671 45/52/61

Terminals with screws: 2 x 2.5 mm²
Type of screwdriver: Posidrive 1, Philips 1, flat-blade 4 mm
Stripping length: 9 mm

6. OPERATION

Conventional operation by inserting or removing an industry-standard plug.

7. TECHNICAL CHARACTERISTICS

7.1 Mechanical characteristics

Impact tests: IK 04
Protection by solid bodies/liquids: IP 20

7.2 Material characteristics

Mechanism: Polycarbonate
Cover plate: Polycarbonate

7.3 Electrical characteristics

Self-extinguishing: 850° C / 30 s.

7.4 Climatic characteristics

Storage temperatures: - 10° C to + 70° C
Operating temperature: - 5° C to + 50° C

8. CONFORMITY AND APPROVALS

Approvals pending: VDE, AENOR, KEMA, OVE, MEEI, TSE, GOST